

PRESSURE RELIEF DEVICE

MODEL: P -1

1.0 FEATURES :

- Body & Diaphragm are made of forged brass. Therefore good Strength and anticorrosive.
- NBR rubber gaskets for proper sealing.
- Spring of high quality Spring Steel.
- A cap is provided for protection.
- Provision is made for locking PRD after installation.

2.0 SCOPE:

The Pressure Relief Device (PRD) is designed as a safety device to be used on Distribution Transformers and similar oil filled electrical equipments. When pressure in the tank rises beyond predetermined safe limit, the PRD operates, and releases the excess pressure.

3.0 CONSTRUCTION & WORKING :

For mounting PRD, threads of 1" BSP are provided at the bottom of body. A port is provided for the operation. The port is sealed by a spring loaded diaphragm. The diaphragm rests on a rubber ring to keep the port sealed during normal pressure in the tank. As soon as the pressure in the tank rises above predetermined safe limit, the diaphragm gets lifted from its seat thereby opening the port. The diaphragm seals the port again after the pressure in the tank reduces to safe limit.

4.0 TESTS:

Each PRV is tested for following Routine Tests

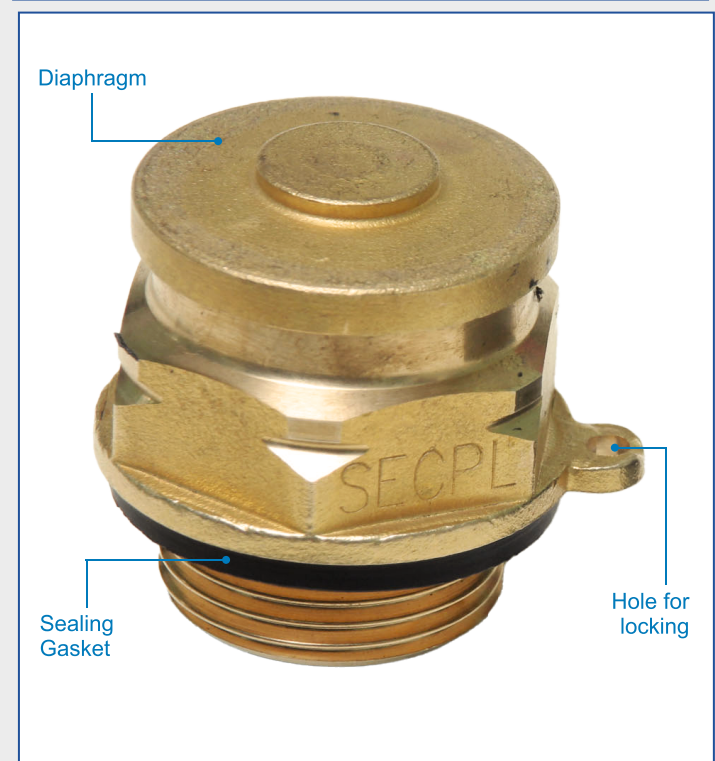
- 4.1 Operating Pressure Test at specified value with compressed air.
- 4.2 Leakage Test at 75% value of specified operating pressure with air at room temperature for 24 hours.
A Test Certificate is issued with each PRD. All above tests are included in the Test Certificate.

5.0 SPECIFICATION:

- 5.1 Liquid In Tank : Transformer Oil.
- 5.2 Operating Pressure : 0.30 to 0.80 kg/cm²
(Order Any One Value)
- 5.3 Operating Tolerance : ±0.10 Kg/cm²
- 5.4 Operating Time : Instantaneous
- 5.5 Operating Temperature : -10° to 100°C of Liquid In Tank
- 5.6 Environment : Indoor Or Outdoor

6.0 INSTALLATION:

For installation, user has to provide a leak proof Mounting Pad as per Fig. 2 of drawing at suitable place on top cover of the tank. PRD is to be installed by using flat rubber ring on mounting pad by tightening 1"BSP threads given on body.



7.0 FAULTS & REMEDIES:

For any type of fault, the PRD has to be returned to SECPL for repairs.

8.0 HOW TO ORDER :

To make an offer, we need to know Model No. and Operating Pressure (any one value).



PRESSURE RELIEF DEVICE

MODEL : P-1

FIG 1. PRESSURE RELIEF DEVICE MODEL : P - 1

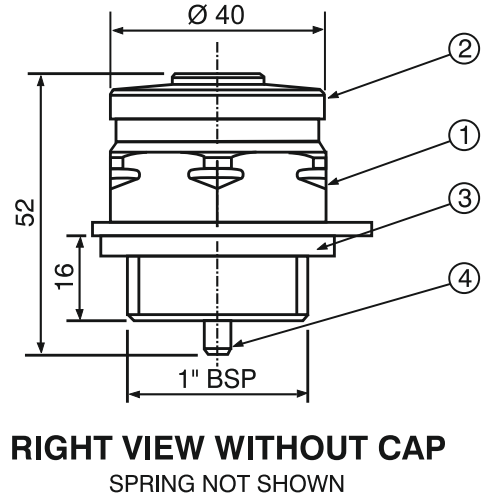
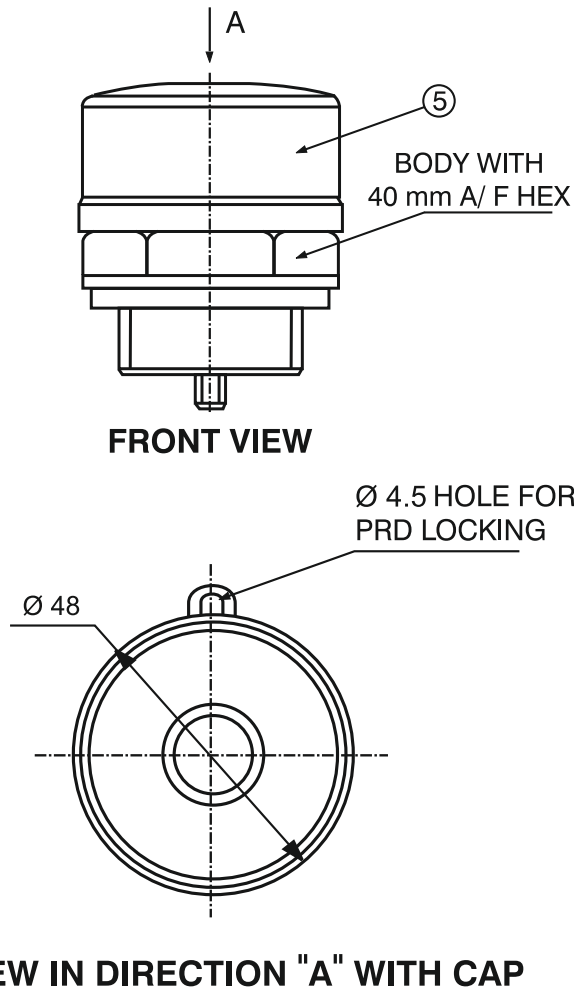
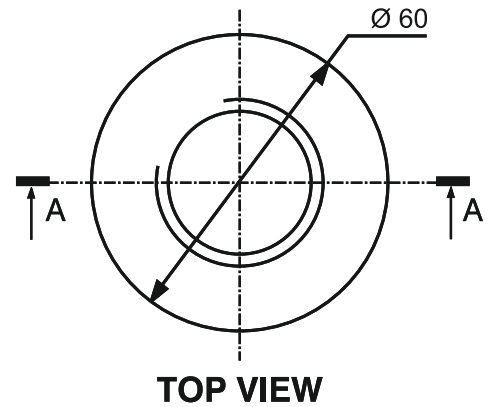
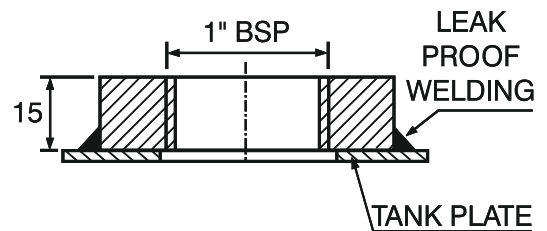


FIG. 2.

MOUNTING PAD



TANK PLATE IS NOT SHOWN IN TOP VIEW



SECTION VIEW A-A

MOUNTING PAD IS NOT SUPPLIED BY SUKRUT

PART LIST FOR FIG. 1

SR NO.	DESCRIPTION	MATERIAL	QTY
1.	BODY	FORGED BRASS	1
2.	DIAPHRAGM	FORGED BRASS	1
3.	GASKET	NBR	1
4.	DIAPHRAGM SUPPORT	S.S.	1
5.	CAP	PLASTIC	1

- ALL DIMENSIONS ARE IN MM
- EXCEPT MOUNTING DIMENSIONS, ALL DIMENSIONS ARE GIVEN FOR GUIDANCE.THEY WILL NOT BE PART OF INSPECTION SCHEDULE

GENERAL NOTES :

- 1.Purchase Order should be placed with detailed specifications of PRD.
- 2.For any assistance, correspondence should be made giving reference of Sr. No. of PRD.



SUKRUT ELECTRIC CO. PVT. LTD.

Plot No. Pap-B-63, MIDC Chakan Industrial Area Phase - II, Village Bhamboli, Taluka Khed District Pune 410 501, Maharashtra, India.

Mobile : +91 75077 78841 / 75077 78842

Email : marketing@sukrutelectric.com

Web : www.sukrutelectric.com

